



\*

\*

\*



UL 认证 (证书编号: E214084)

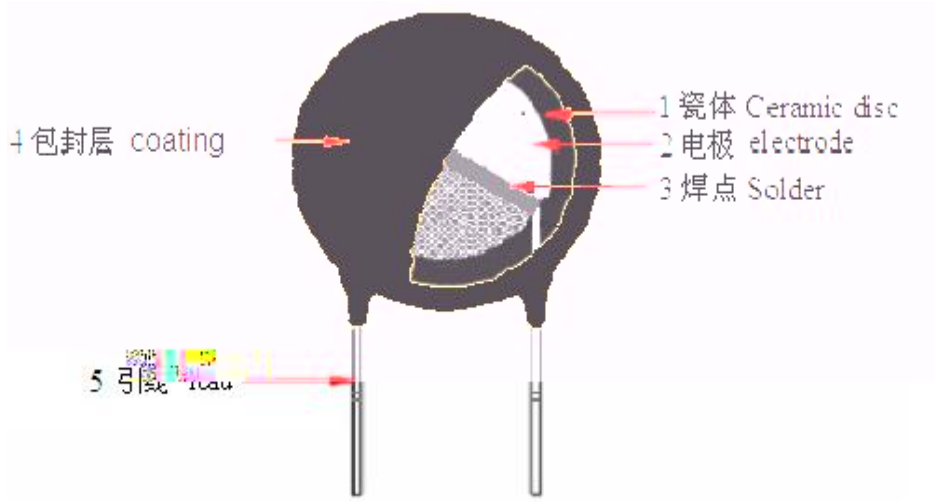
UL recognized (File# E214084)



\*

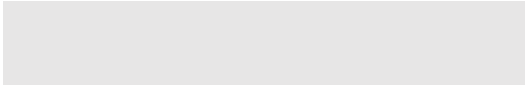
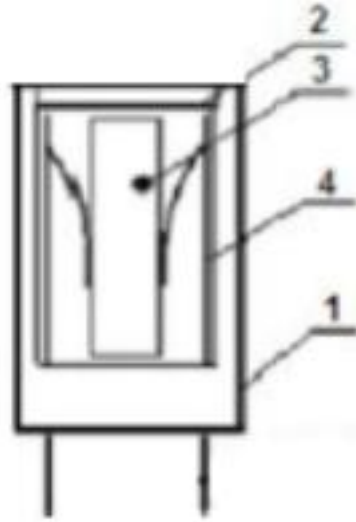

2							
3							...
4							
5							
		±	±	±	±	±	
6							

\*



NEC

\*



0

S - T  
pp

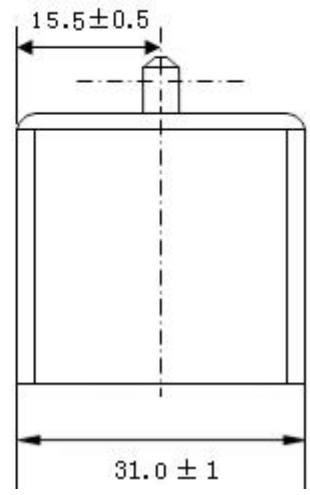
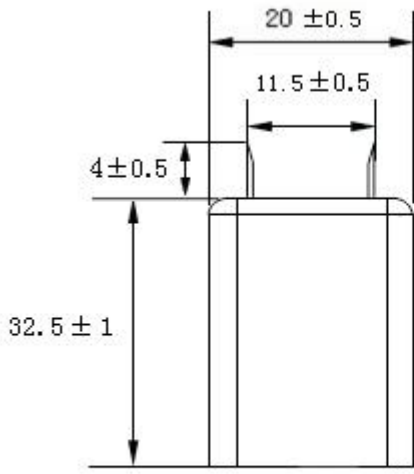
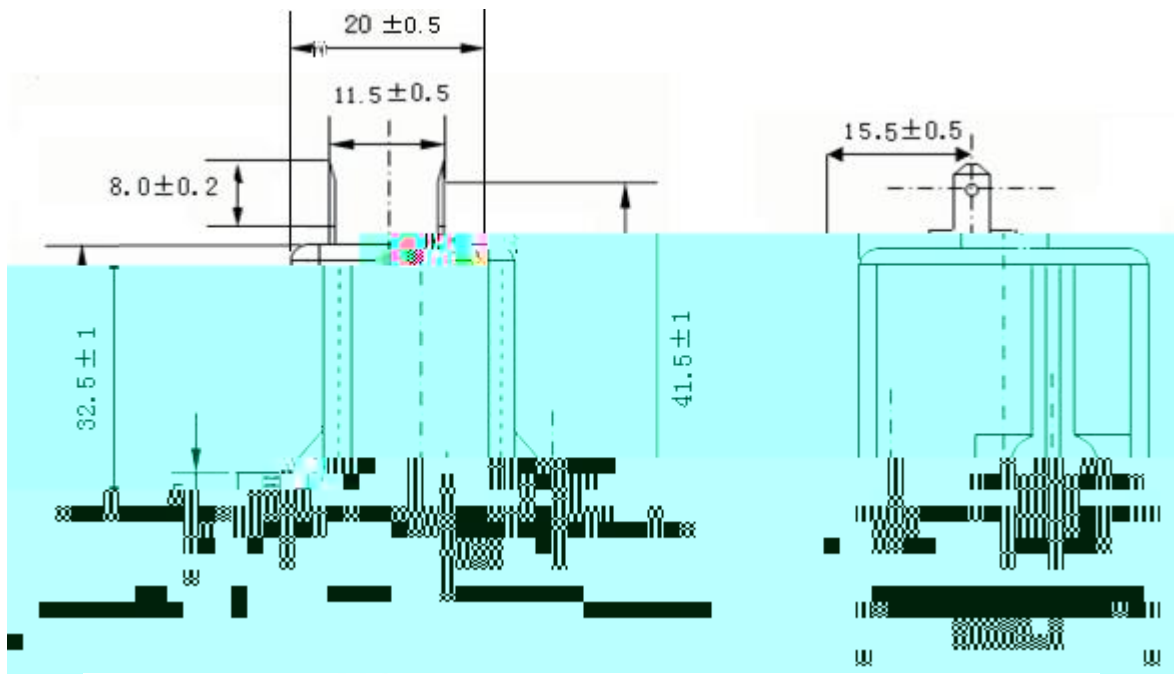
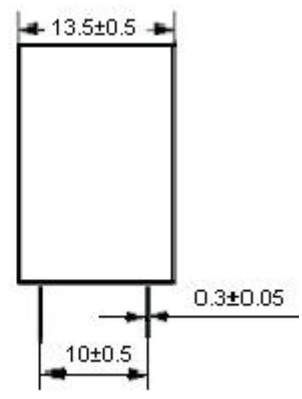
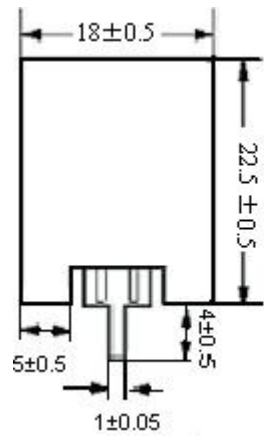








\*







R25	Non-Oper			*
Rated	ating	Max Voi tage	Max	
Resi stanc	Current	(V)		
e ( )	(mA)		(A)	



















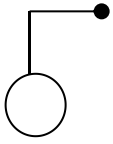


	±	
	PTC ± ± 1/20	
	±	

---

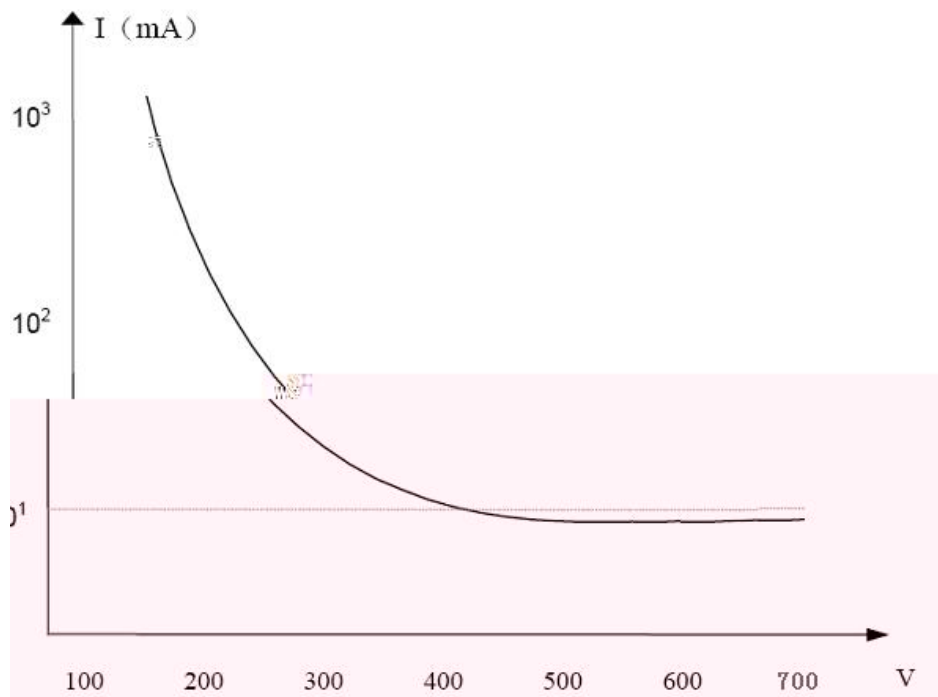
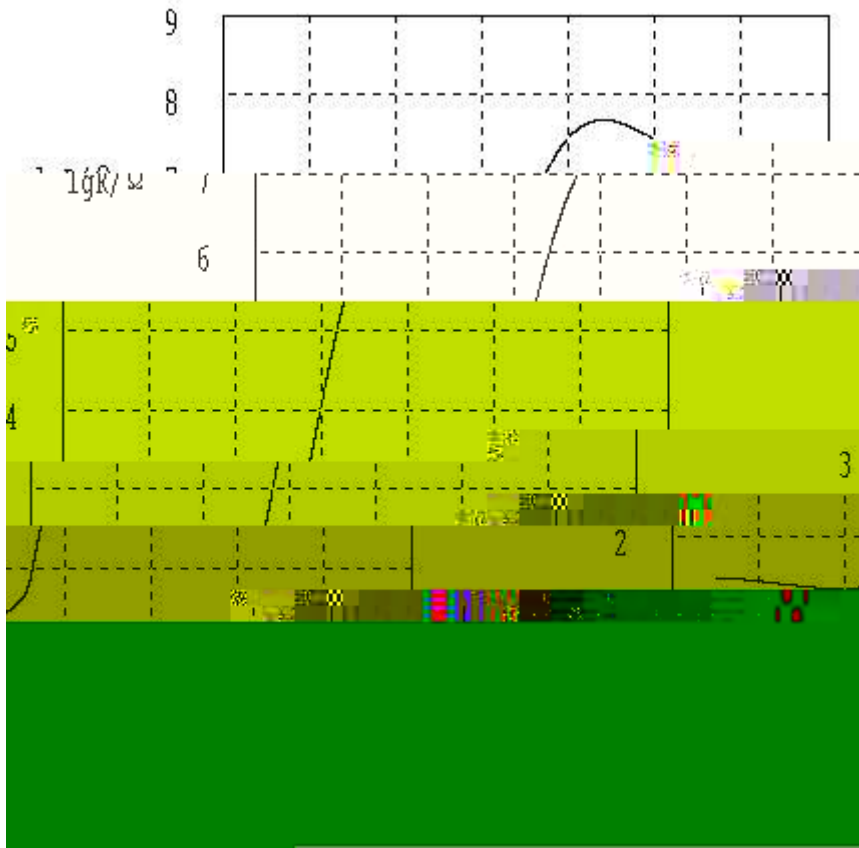




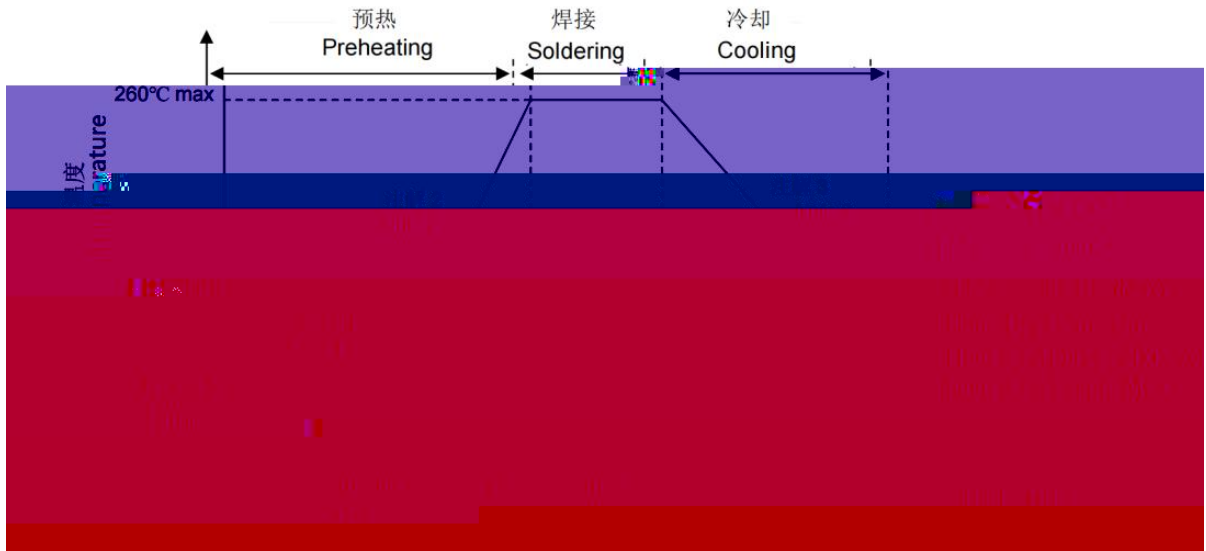
	<table border="1"><tr><td></td><td></td><td></td></tr><tr><td></td><td></td><td></td></tr><tr><td></td><td></td><td></td></tr><tr><td></td><td></td><td></td></tr><tr><td></td><td></td><td></td></tr></table>																

R-T Characteristic Curves



\*

\*



\*


\*

