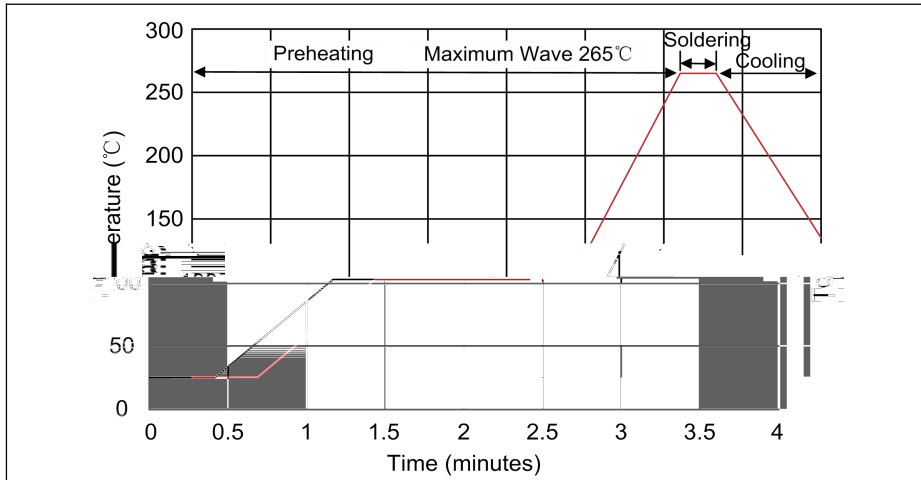


(MCOV)



I	C
P T	265
D T	10
S	1

I	C
T S I -	360
S T	3 ()
D V	2 ()

1	(V) (V)	<p>$I = 1KV/$</p>	V V								
2		<p>10 ± 1</p> <table border="1"> <thead> <tr> <th>()</th> <th>(N)</th> </tr> </thead> <tbody> <tr> <td>0.5 0.8</td> <td>10</td> </tr> <tr> <td>0.8 1.25</td> <td>20</td> </tr> <tr> <td>1.25</td> <td>40</td> </tr> </tbody> </table>	()	(N)	0.5 0.8	10	0.8 1.25	20	1.25	40	V /V 20% V /V 10%
()	(N)										
0.5 0.8	10										
0.8 1.25	20										
1.25	40										

3

()		(K)
0.5	0.8	5
0.8	1.25	10
1.25		20

V /V 20%

V /V 10%

4

10 55 H 0.75 98 / 2 3
3 2

5

400 /S² 6 4000

6

7

245 3 , 3 0.3

8

260 5 , 10 1 , 2.0 2.5
25 2.5 /

9

. 40 2 , 90 95 % RH, 1344
. 40 2 , 90 95 % RH, 10% VDC, 1344

10

105 2 1000

11

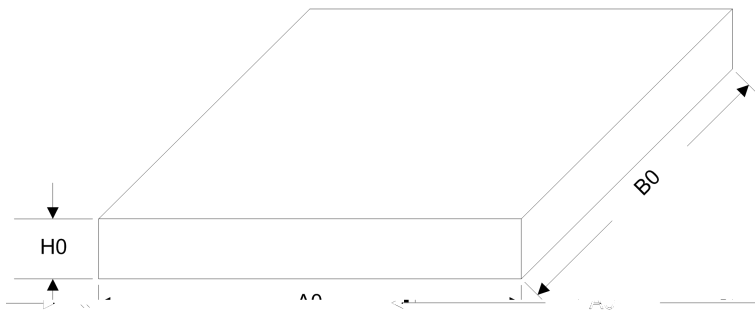
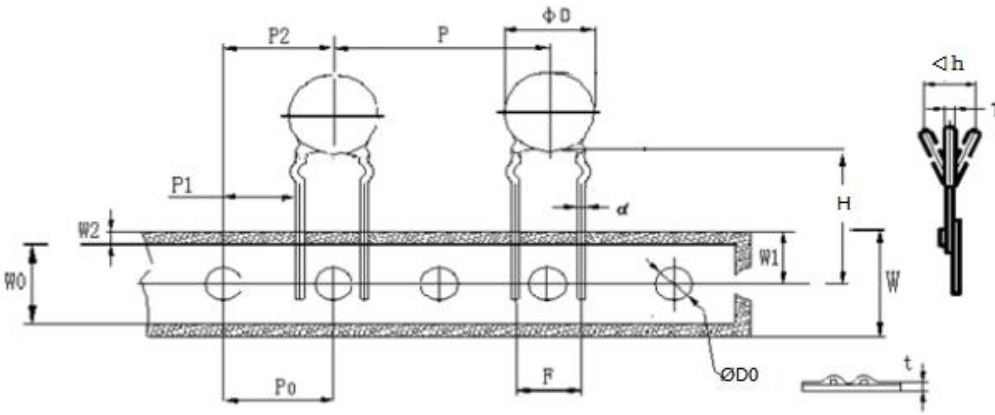
105 2 1000

V /V 20%

V /V 10%

12

1	-40 3	30
2		15
3	+105 2	30
4		15



	()
D	18.0 M
T	10.0 M
F	7.5 1.0
	0.8 0.1
D0	4.0 0.2
H	21.0 M
P	25.4 1.0
P0	12.7 1.0
P1	8.95 0.70
P2	12.7 1.30
W	18.0 1.0
W0	9.8 M
W1	9.0 1.0
W2	3.0 M
	0 2.0
	0.6 0.3
A0	335 3
B0	253 3
H0	55 3
: 300	820K 361K
: 250	391K 681K