

ALUMINUM ELECTROLY

Capacitor

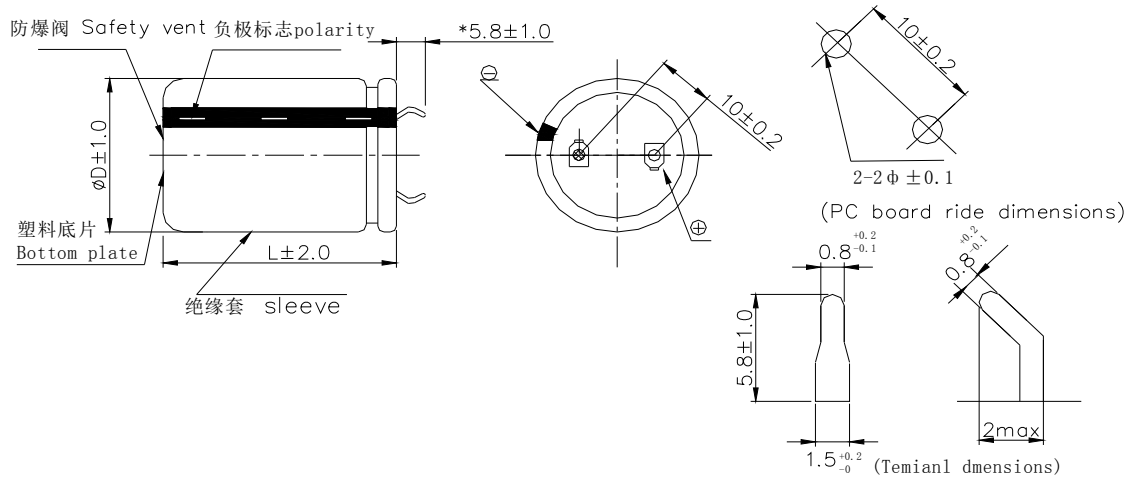
ies, telecommunication and other elec

A 0 6 0 L G N

①	②	③
Code	Type	
8	Prod	
		5
		25
		35
		50
	MB	160
	MC	200
	MD	250
	MF	350
	VA	400
	VB	450

Code	Nominal Capacitance
471	330uF
482	4800uF
223	22000uF

1

Product Structure

Main specifications

Item	Performance Characteristics		
Rated Voltage Range	160~450V.DC		
Operating Temperature Range	-25 ~+105		
Nominal Capacitance Range	47~1800 μ F		
Capacitance Tolerance	$\pm 20\%$ M +25 $^{\circ}$ C 120Hz		
Leakage Current (25 $^{\circ}$ C)	(V)	160~450	
	Rated working voltage	160~450	
Leakage current	5	$1.3 \frac{CV}{\mu A}$	
	After 5 min.	$1.3 \frac{CV}{\mu A}$	
	C	μF Nominal Capacitance in μF	
	V	V Rated working voltage in V	
DF Dissipation Factor	(V)	160~250	350~450
	Rated working voltage	160~250	350~450
	DF(MAX) (25 ,120Hz)	0.15	0.20

Surge Voltage	(V) Rated working voltage				160	200	250	315	350
	(V) Rated working voltage				160~250		350~450		
Temperature Stability	(120Hz) Impedance Ratio		z-25 /z+20		3		8		
Load life	+105°C 8000 ,								
	<p>After application of rated working voltage with max permissible ripple current specified at +105°C for 8000 hours, capacitors meet the characteristics requirements measured at +20°C listed at below:</p> <p>1 :±20% Capacitance change : ±20% initial measured value</p> <p>2 :</p> <p>Leakage current: initial specified value</p> <p>3 200% Dissipation factor: 200% initial specified value</p>								
Shelf life	+105°C 1000 , JIS-C-5101-4 30min,, 24 48 :								
	<p>After leaving capacitors under no load at +105°C for 1000 hours, According to JIS-C-5101-4, apply the rated DC voltage for 30 minutes and store the capacitors under room temperature for 24-48 hours. The capacitors meet the characteristics listed as below:</p> <p>1 :±20% Capacitance change : ±20% initial measured value</p> <p>2 : 200% Leakage current: 200% initial specified value</p> <p>3 200% Dissipation factor: 200% initial specified value</p>								



Dimensions and ripple current and frequency coefficient

Ripple current frequency coefficient

Freq(Hz) WV(V)	50	60	120	1K	10K
160~250	0.80	1.00	1.20	1.30	1.00
350~450	0.80	1.00	1.20	1.25	1.40

Dimensions and ripple current

WV/V Cap/μF	160		200		250		350		400		450	
	(1)	(2)	(1)	(2)	(1)	(2)	(1)	(2)	(1)	(2)	(1)	(2)
47									22x25	0.30	22x25	0.35
68							22x25	0.34	22x30	0.35	22x30	0.40
82							22x30	0.40	22x30 25x25	0.40	25x30	0.45
100							22x30 25x25	0.46	22x35 25x30	0.45	22x40 25x35	0.50
120							22x35 25x30	0.52	22x40 25x35 30x30	0.55	22x45 25x40	0.60
150					22x25	0.52	22x40 25x35	0.60	22x50 25x40 30x30	0.65	25x45 30x35	0.70
180			22x25	0.55	22x30 25x25	0.62	22x45 25x40 30x30	0.70	25x45 30x35	0.70	25x50 30x40	0.80
220	22x25	0.62	22x30	0.70	22x35 25x30	0.76	22x50 25x45 30x35	0.82	25x50 30x40	0.80	30x45 35x40	0.90
270	22x25	0.76	22x35 25x25	0.80	22x40 25x35	0.90	25x50 30x40	0.95	30x45 35x35	1.00	30x50 35x40	1.05
330	22x25 25x25	0.82	22x40 25x30	0.90	22x45 25x35 30x30	1.00	30x45 35x35	1.05	30x50 35x40	1.10	35x45	1.20
390	22x35 25x30	0.95	22x40 25x35	1.05	22x50 25x40 30x35	1.15	30x50 35x40	1.10	35x45	1.20	30x60 35x50	1.30
470	22x40 25x35 30x30	1.10	22x45 25x40 30x30	1.20	25x45 30x35	1.30	35x30 35x45	1.20 1.25	35x50	1.30	35x60	1.40
560	22x45 25x35 30x30	1.25	25x45 30x35	1.40	25x50 30x40 35x35	1.45	35x50	1.40	35x60	1.50		
680	22x50 25x40 30x35	1.50	25x50 30x40	1.60	30x45 35x40	1.70						
820	25x45 30x40	1.60	30x45 35x35	1.85	30x50 35x40	1.90						
1000	30x45 35x35	1.89	30x50 35x40	2.10	35x45	2.20						
1200	30x50 35x40	2.20	35x45	2.40								
1500	35x45	2.60	35x50	2.70								
1800	35x50	2.90										

(1) Case Size DxL(mm)

(2) Max allowable ripple current (A rms +105°C,120Hz)


Packaging

Size	Inter Box	Separator	/ () Pcs/Box	Outside Box	/ Pcs/Case	/ () Pcs/Case
22X25 30	D35-43	F-224	135	B-4	7	945
22X35 40	D35-53	F-225	135	B-4	6	810
22X45 50	D35-63	F-226	135	B-4	5	675

Size	Inter Box	Separator	/ () Pcs/Box	Outside Box	/ Pcs/Case	/ () Pcs/Case
25X25 30	D35-43	F-254	105	B-4	7	735
25X35 40	D35-53	F-255	105	B-4	6	630
25X45 50	D35-63	F-256	105	B-4	5	525
25X60	D35-76	F-257	105	B-4	4	420
25X65	D35-80	F-358	105	B-4	3	315
30X25 32	D35-43	F-304	75	B-4	7	525
30X35 40	D35-53	F-305	75	B-4	6	450
30X45 50	D35-63	F-306	75	B-4	5	375
30X55 60	D35-76	F-307	75	B-4	4	300
30X70	D35-80	F-308	75	B-4	3	225
35X25 30	D35-43	F354	60	B-4	7	420
35X35 40	D35-53	F-355	60	B-4	6	360
35X45 50	D35-63	F-356	60	B-4	5	300
35X55 60	D35-76	F-357	60	B-4	4	240
35X70 80						